



CAMBURG FORD BRONCO '21-22 REAR BILLET LOWER TRAILING ARM KIT PART# CAM-120032

Thanks for purchasing our rear lower trailing arm kit for your Ford Bronco. If you are not installing these yourself have a qualified shop do so. These trailing arms were designed to replace the OEM versions and work with suspension kits associated with using them. Check the parts list to make sure you have every component prior to installing. Camburg Engineering has made every attempt to insure you receive the highest quality components in the most complete manner. This is a guide to help you through the process with some recommended torque specs & notes. It's your responsibility to ensure parts are being installed correctly using the correct tools and procedures to the proper torque. For step-by-step instructions refer to a Ford Service manual.

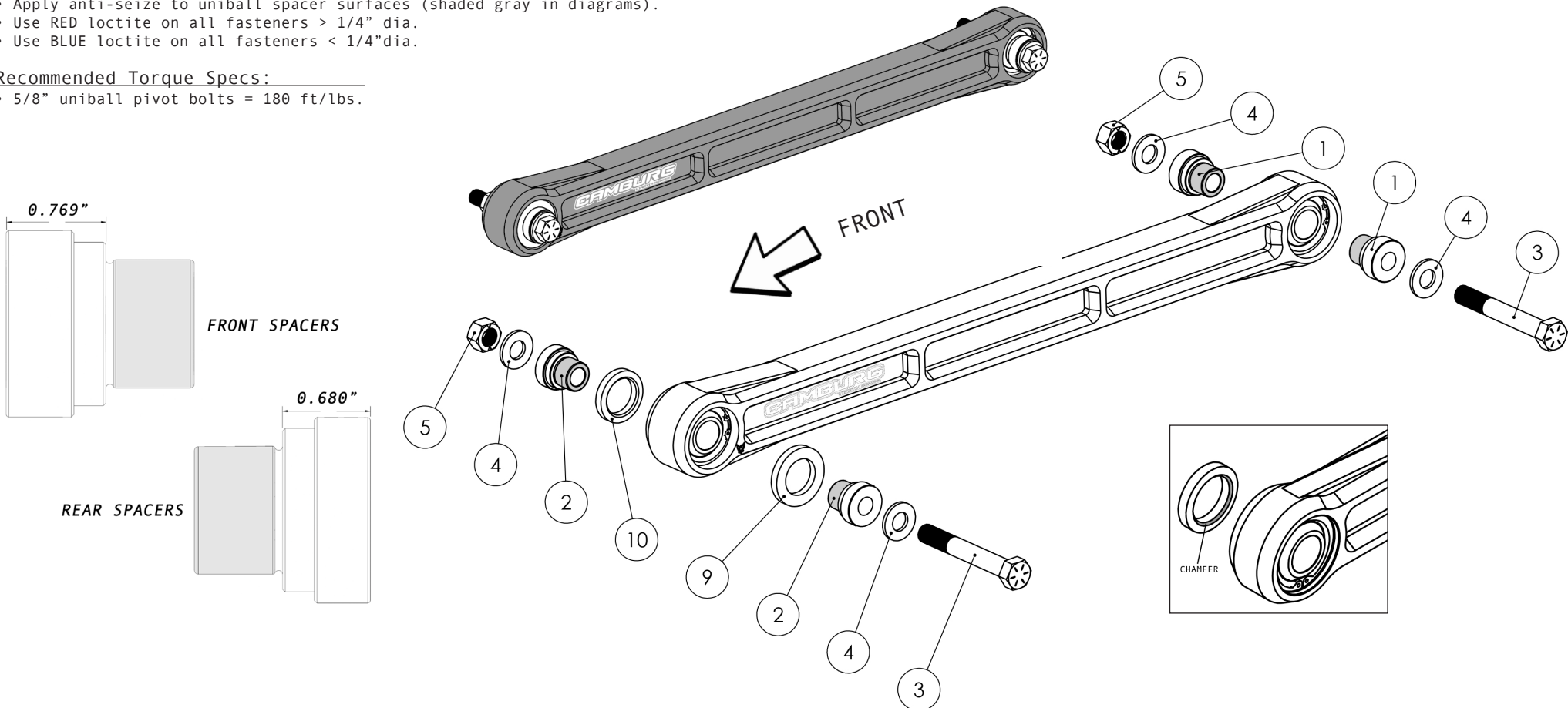
Important Notes:

- When removing the front driver-side bolt you will need to cut the bolt or drop the fuel tank to fully remove it. Due to the length and orientation of the bolt, the gas tank doesn't allow it to be pulled out completely. We recommend cutting the OEM bolt.
- Install the new bolts orientated with the head of the bolt to the outside.
- The delrin wobble stoppers are used in the front pivots only.
- Make sure to install uniball wobble stoppers with chamfer towards the uniball (inside).
- Apply anti-seize to uniball spacer surfaces (shaded gray in diagrams).
- Use RED loctite on all fasteners > 1/4" dia.
- Use BLUE loctite on all fasteners < 1/4" dia.

Recommended Torque Specs:

- 5/8" uniball pivot bolts = 180 ft/lbs.

ID	PART NBR	DESCRIPTION	QTY
		REAR BILLET LOWER TRAILING ARM	2
2	960586	FRONT UNIBALL FRAME SPACERS (LONG)	4
1	960587	REAR UNIBALL FRAME SPACERS (SHORT)	4
3	950004	5/8-18 x 4.5" GRADE 9 HEX BOLT	4
4	950016	5/8" SAE GRADE 8 ROUND WASHER	8
5	950006	5/8-18 STOVER LOCK NUT (ZINC)	4
9	960571	DELTRIN UNIBALL WOBBLE STOPPER (A)	2
10	960572	DELTRIN UNIBALL WOBBLE STOPPER (B)	2
	030017	CAMBURG 8.5" STICKERS	4



[05.31.22]

Due to the extreme and punishing nature of off-road use, Camburg Engineering products have no implied or expressed warranty. Camburg Engineering products and components are designed and manufactured for off-road use only. Always inspect your suspension after off-roading and at your routine service intervals. Use of products sold by Camburg Engineering is at the consumer's own risk. Proper installation and proper use of all products must be followed for optimal safety and performance. Camburg Engineering does not accept responsibility for improper use, alterations, lack of maintenance/inspection and installation of any products. Installing most suspension products will raise the center of gravity of the vehicle and can increase the susceptibility to a rollover and alter the handling characteristics. Camburg Engineering products may void the vehicles warranty, check with your local dealer. The loss of use of the product, loss of time, inconvenience, removal, shipping costs, commercial loss or consequential damages are not covered. Camburg Engineering reserves the right to change the design, material or specifications of any product without assuming any obligation to modify any product previously manufactured and without prior notice. Every effort has been made to avoid printing errors and specifications. By purchasing, installing and/or using these products you are accepting these stated conditions and accept all liability and responsibility.