



Date: _____

Custom Fit OEM Smoothies- Form

Please fill out this form completely and email it to Sales@AccuTuneOffroad.com

Full Name: _____

Email: _____

Phone: _____

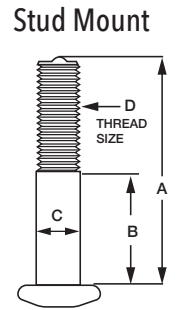
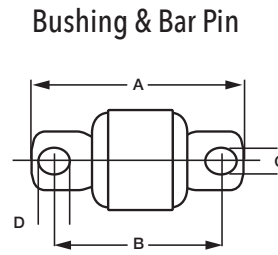
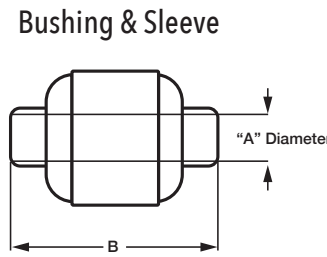
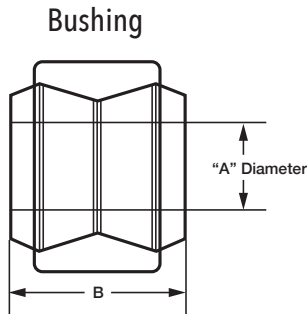
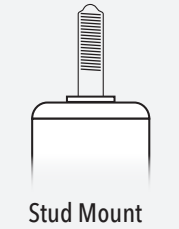
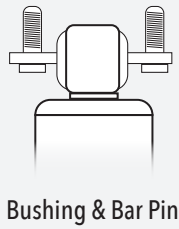
Shipping Address: _____

Type Of Vehicle: _____

IFS Front Suspension

Solid Front Axle

Other: _____



Front Shocks

Chassis Side

Type: _____

Dim A: _____

Dim B: _____

Dim C: _____

Dim D: _____

Axle Side

Type: _____

Dim A: _____

Dim B: _____

Dim C: _____

Dim D: _____

Shock Lengths

Ride Height E: _____

Ride Height F: _____

Max Compressed G: _____

Max Extended H: _____

Rear Shocks

Chassis Side

Type: _____

Dim A: _____

Dim B: _____

Dim C: _____

Dim D: _____

Axle Side

Type: _____

Dim A: _____

Dim B: _____

Dim C: _____

Dim D: _____

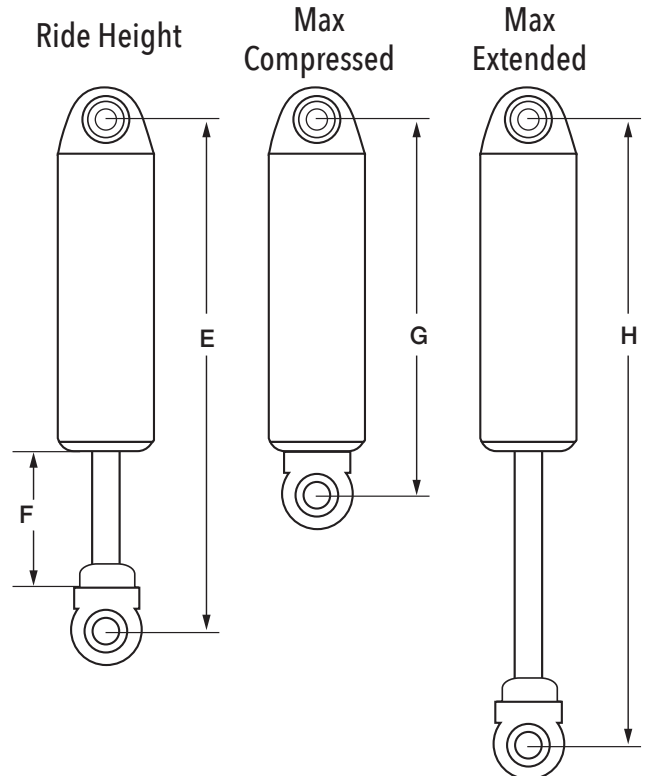
Shock Lengths

Ride Height E: _____

Ride Height F: _____

Max Compressed G: _____

Max Extended H: _____





Custom Fit OEM Smoothies- Form

Front Bump Stops

Foam Hard Rubber Air Bump

Dim A: _____

Dim B: _____

(Air Bumps measure shaft showing)

Rear Bump Stops

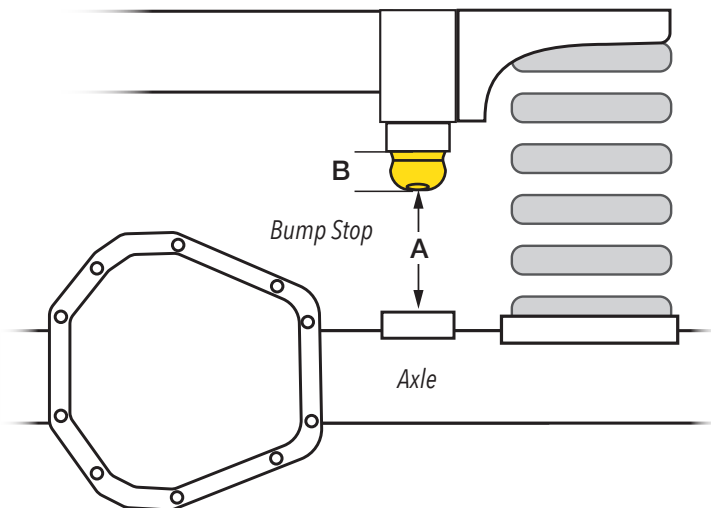
Foam Hard Rubber Air Bump

Dim A: _____

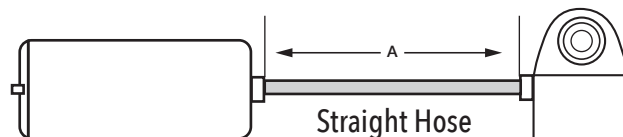
Dim B: _____

(Air Bumps measure shaft showing)

Only needed for
solid axle vehicles



Remote Reservoir Hose Routing



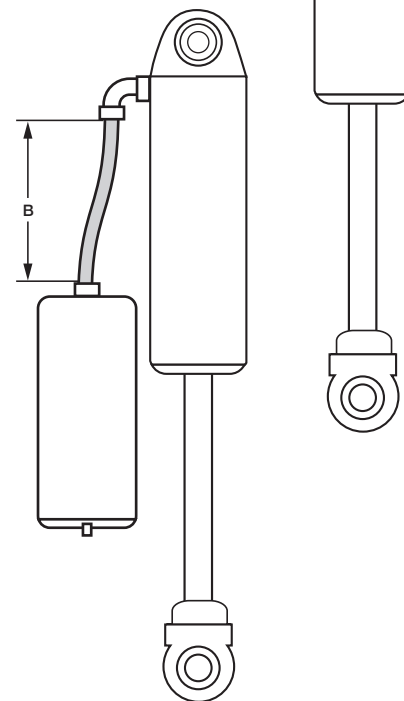
Front Shocks

Shock Size	Straight Hose Length	90° Hose Length	Piggyback
<input type="checkbox"/> 2.0 Shock	<input type="checkbox"/> 12" <input type="checkbox"/> 20"	<input type="checkbox"/> 5.625" <input type="checkbox"/> 12" <input type="checkbox"/> 16"	N/A
<input type="checkbox"/> 2.5 Shock	<i>*Limited options available. AccuTune will contact you to discuss.</i>		

Rear Shocks

Shock Size	Straight Hose Length	90° Hose Length	Piggyback
<input type="checkbox"/> 2.0 Shock	<input type="checkbox"/> 12" <input type="checkbox"/> 20"	<input type="checkbox"/> 5.625" <input type="checkbox"/> 12" <input type="checkbox"/> 16"	N/A
<input type="checkbox"/> 2.5 Shock	<i>*Limited options available. AccuTune will contact you to discuss.</i>		

90 Degree Hose



notes:

I acknowledge the information above is accurate. I understand AccuTune Offroad is not responsible for measurements provided, and is not responsible for incorrect shock lengths. No returns or exchanges.